

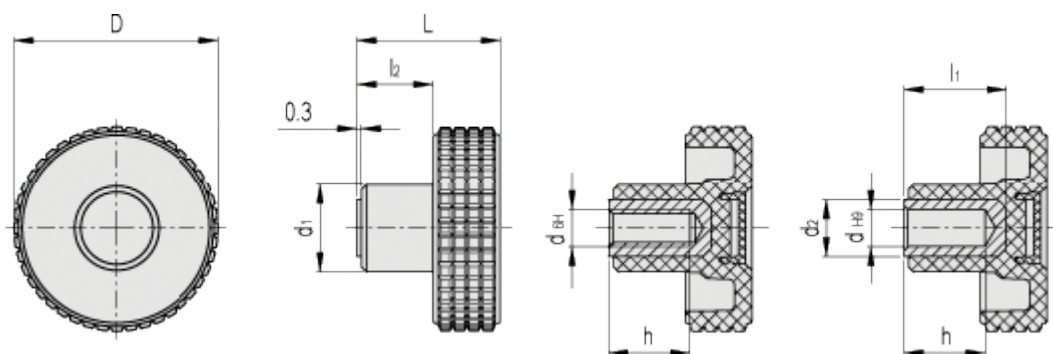
# Data Sheet



Article number: 23020345162

Description: E+G Fingergreb MBT.60-B-M12-C2, orange centre cap

## Measures



D = 61

d1 = 23

d2 = -

dH6 = M12

dH9 = -

h = 20

L = 39

l1 = -

l2 = 18.5